

# Din Rail DALI 3 in 1 LED Controller (DT8)

Model No.: DL2-T

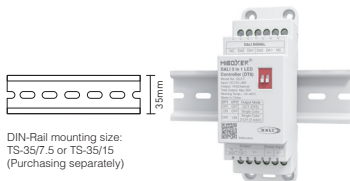
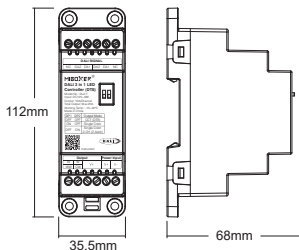
## Features

- Compatible with standard 35mm universal rail
- Support DALI-2 standard protocol
- Three output mode, CCT mode (DT8) / single color mode / Dual channel single color mode ( dual address)
- Dim brightness and color temperature
- Support dual output with single color mode ( 1 address for 1 channel)
- Reverse polarity protection, short circuit protection, over current protection and recovery function



## Parameters

Name: Din Rail DALI 3 in 1 LED Controller	Working Temperature: -10~40°C
Model No.: DL2-T	EMC Standard (EMC): ETSI EN 301 489-1 V2.2.3(2019-11) ETSI EN 301 489-3 V2.3.2 (2023-01)
Input Voltage: DC12~48V	Safety Standard (LVD): EN 61347-1: 2015+A1: 2021 EN 61347-2-11: 2001+A1:2019
Output Current: 10A/ Single channel	Certification: CE, EMC, LVD, RED
Total Output: Max 20A	
DALI Protocol: IEC62386	
IP Rating: IP20	



## Setting Output Mode

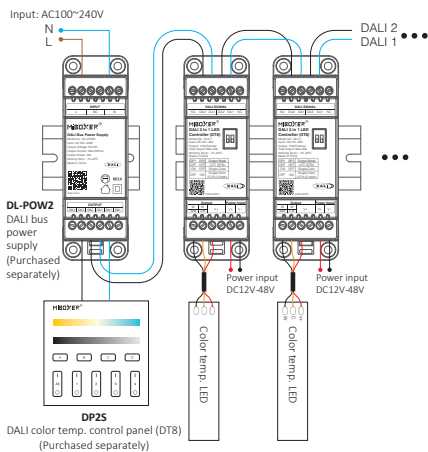
Turn the DIP switch to change output mode ( Down : ON Up: OFF)



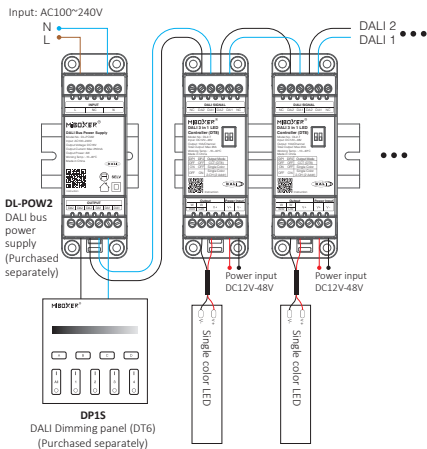
DP1	DP2	Output Mode
OFF	OFF	CCT (DT8)
ON	OFF	Single Color
OFF	ON	Single Color 2-CH (2 Addr)

## Connection Diagram

CCT mode

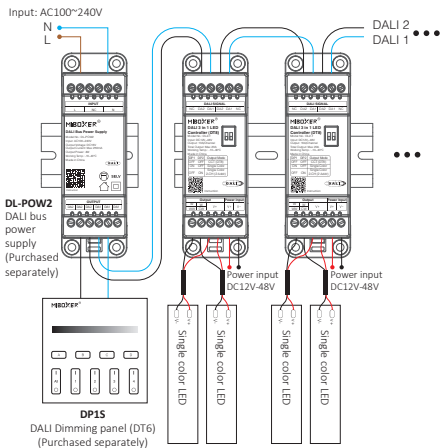


## Single Color mode



## 2-CH Single Color mode

\* During 2-CH mode, different channel have 2 different DALI address



## Notice

1. Please check whether the voltage of the power supply is in accordance with the light, and please check the connection of both the cathode and anode, otherwise the light will be broken.
2. Please don't connect wires with power on. Please turn on again only when it is in right connection and no short circuit.
3. Non-professional user cannot dismantle the lighting fixtures directly.
4. Please do not use the light in the place with widely range metal area or strong electromagnetic wave nearby, otherwise, the remote distance will be seriously affected.



Dimmer can not  
use in humid area

Made in China