
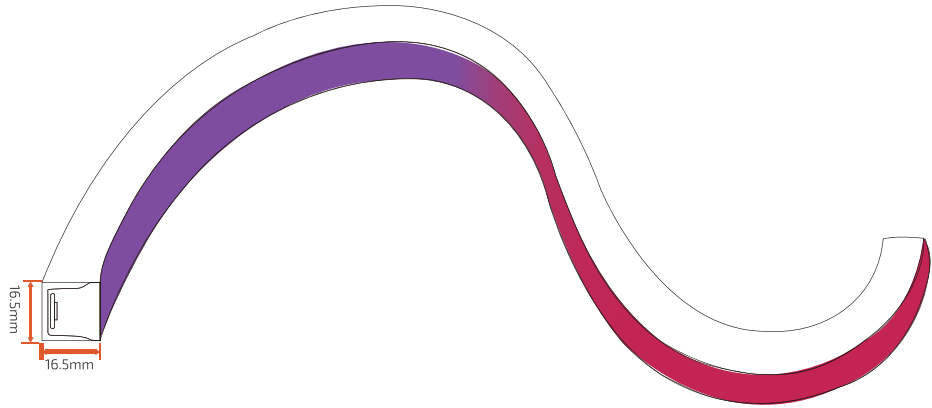


F16 SPI Pixel Chasing Neon flex

Specification

Dimension

-  Gross weight: 0.43kg/m
-  Controlled: SPI Controller
-  Installation Temp.: 0°C to +55°C
-  Ambient Temp.: -25°C to +55°C
-  Min. Bending : 120mm
-  Beam Angle : 120 degree



Eco-friendly PVC or Silicone Housing material optional

Features

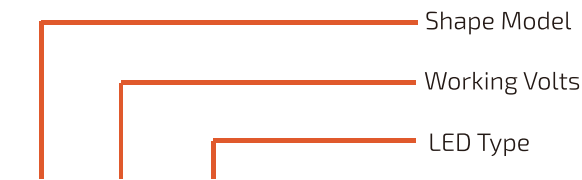
- Uniform and even light output
- Flat surface with 120 degree beam angle
- UCS8903,8904 IC built in
- Connect with SPI Controller
- Full encapsulated with IP68 Level
- High Reliability
- 3 or 5 Years warranty

Applications

- Building facade, outline
- Cove lighting
- Sign and advertising lighting
- Linear lighting
- Additional lighting
- Decorative lighting



Model Encoding



F16-24V-5050-70-SPI-RGB



MJ D3 S02SM
 MJ-16-D3-S02SM
 1 2 3 4 5

- 1** Mold injection
- 2** Pixel chasing
- 3** Connector entry type
- 4** Connector direction
- 5** Cable connector type

- 01----- right
- 02-----left
- 03-----double
- SM----- male connector cable
- SF-----female connector cable
- SMF-----male & female connector cable
- S----- Side entry
- D-----Direct entry
- B-----Bottom entry

For more information

Email: info@neonled.sk

Or visit www.neonled.sk



F16 Pixel chasing series led neon flex

Technical Specification

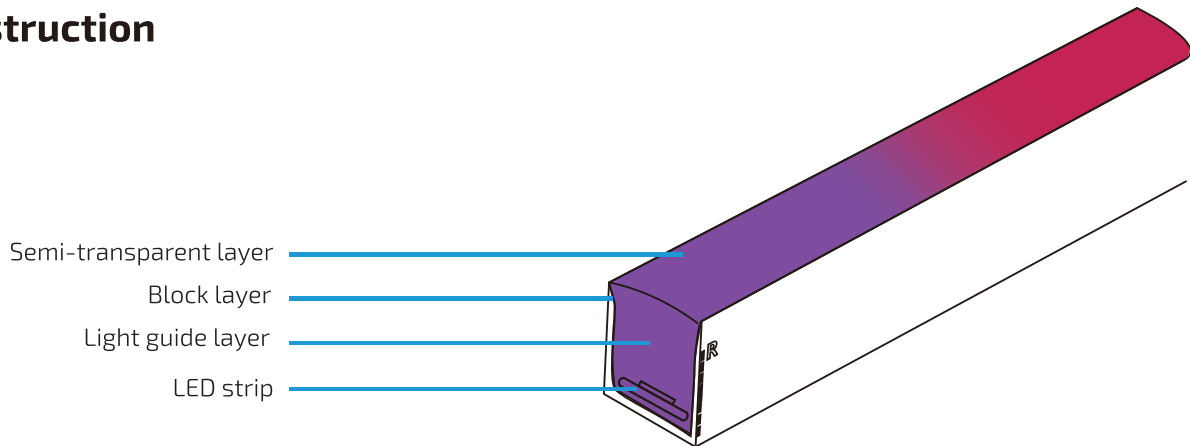
Model	F16-24V-5050-70-SPI-RGB	F16-24V-5050-56-SPI-RGBW
Operating voltage	24V	24V
Power consumption	16W/M	15W/M
Working Mode	SPI(8903)	SPI(8904)
LED type	SMD5050	SMD5050
LED Quantity	70 pcs/m	56 pcs/m
Available Color	RGB/3000K/DW	RGBW(2200K/3000K/4000K)
Min. cutting Unit	7 LEDs	7 LEDs
Min. cutting length	10cm	12.5cm
Pixels Qty/m	10 Pixels	8 Pixels
Max. length single feed	8m	8m
Max. length double feed	16m	16m
Bending direction	Vertically	
Lumen maintenance	70 000 Hours L70 25°C , 50 000 Hours L70 50°C	
Housing material	Eco PVC or Silicone	
Installation temperature	0°C to -55°C	
Ambient temperature	-25°C to +55°C	
Ingress protection	IP68 wet location submersible* to 2m	
Warranty	3 years as standard, 5 years warranty maximum	

[For more information](#)

Email: info@neonled.sk

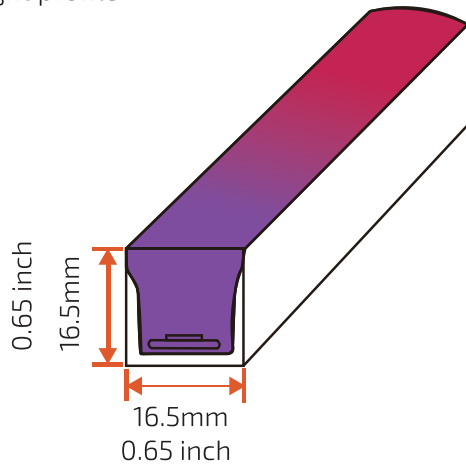
Or visit www.neonled.sk

Construction

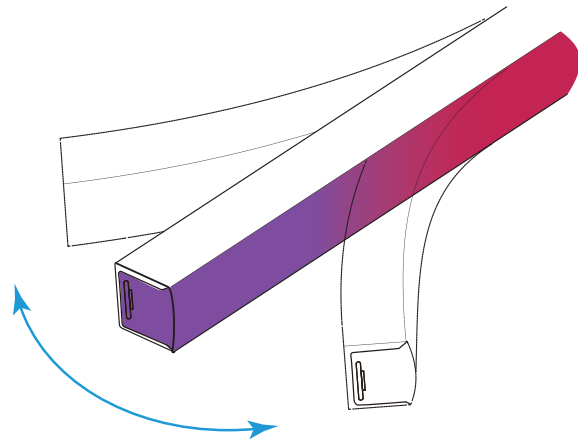


Physical Specification

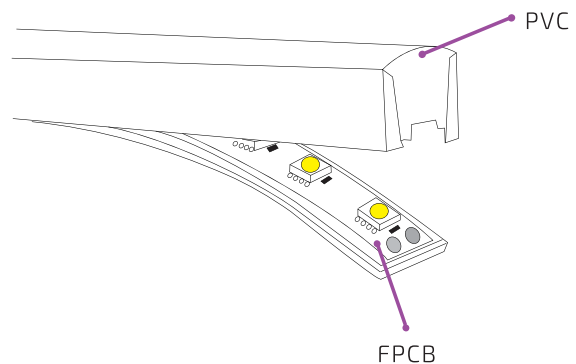
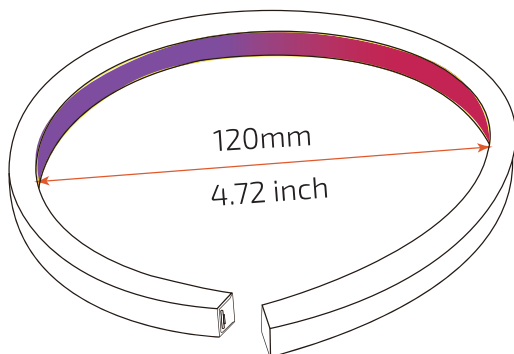
Light profile



Bending direction



Min. bending diameter



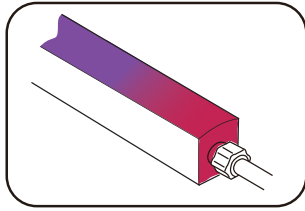
[For more information](#)

Email: info@neonled.sk

Or visit www.neonled.sk

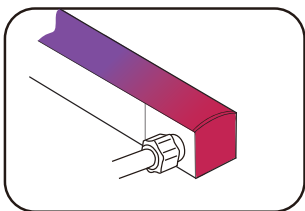
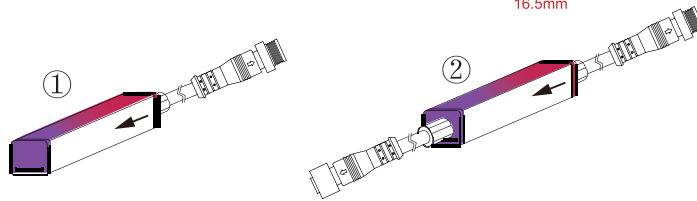
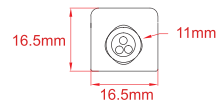
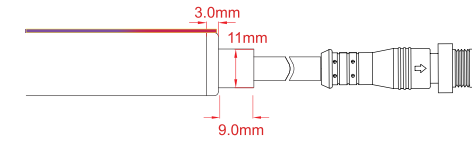
Mold injection connector

(IP68 Factory Assembly only)



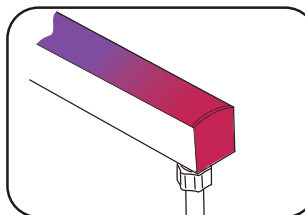
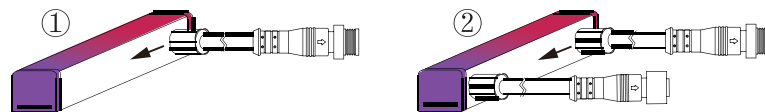
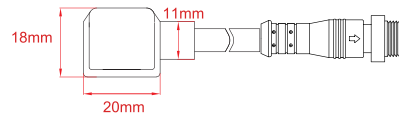
Direct entry Connector

- ① MJ-16-D3-D02SM
- ② MJ-16-D3-D03SFM



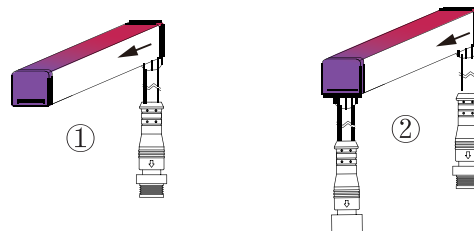
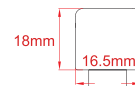
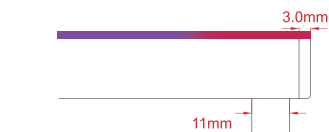
Side entry Connector

- ① MJ-16-D3-S02SM
- ② MJ-16-D3-S03SFM



Bottom entry Connector

- ① MJ-16-D3-B02SM
- ② MJ-16-D3 -B03SFM



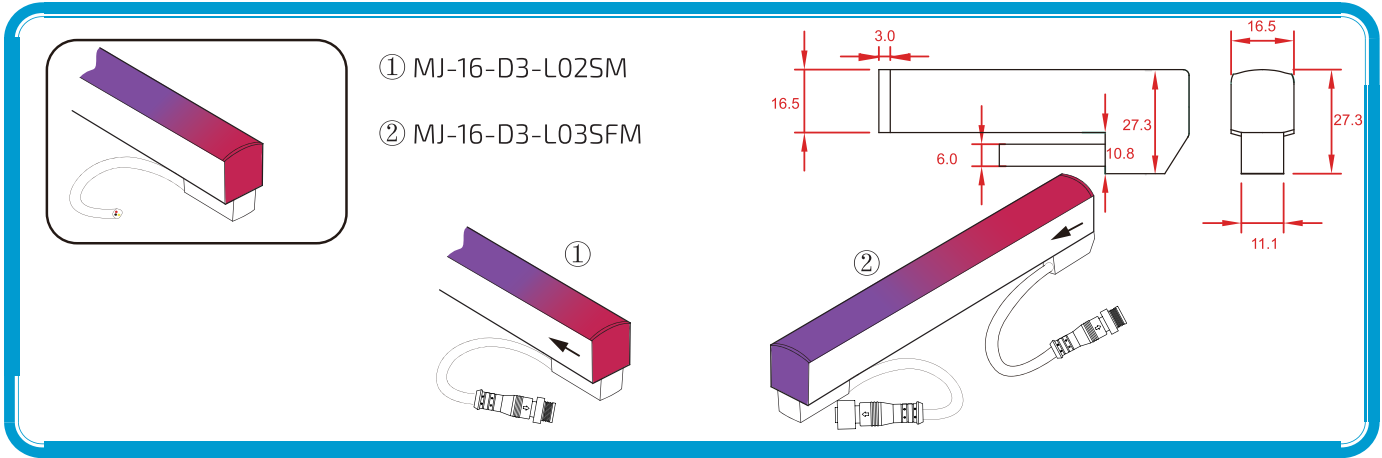
For more information

Email: info@neonled.sk

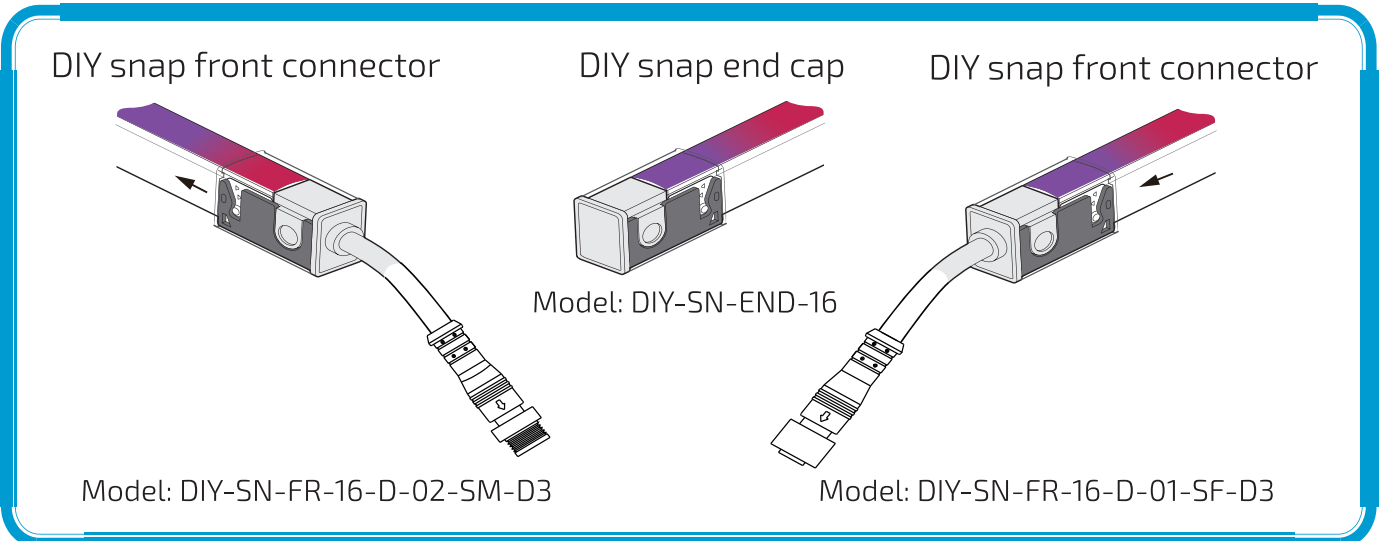
Or visit www.neonled.sk

Mold injection Connector

(IP68 Factory Assembly only)

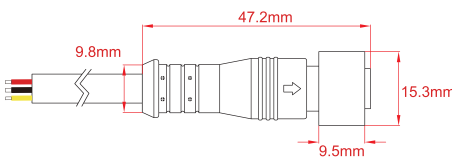


DIY snap front connector & end cap kit (IP67 Only)

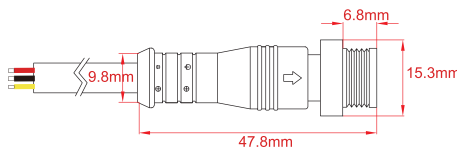


Other Accessories

Female & Male Connector

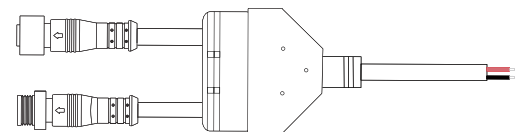


Female connector wire
SYZ-M12-F-3C-05-W

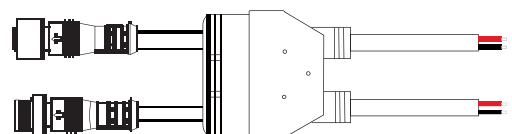


Male connector wire
SYZ-M12-M-3C-05-W

Middle power connector



MID-CNR-8904-1T2

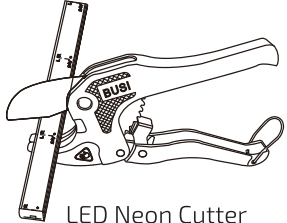

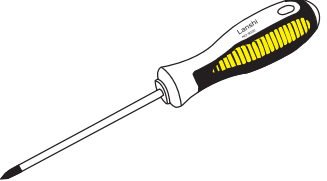
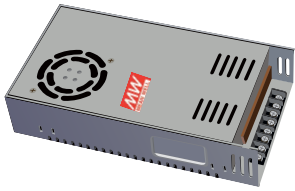
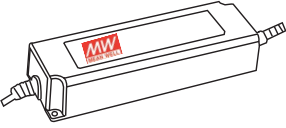
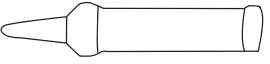


MID-CNR-8904-2T2

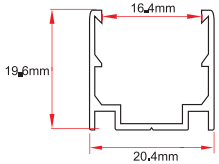
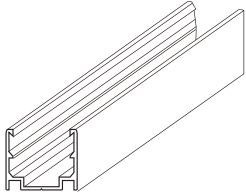
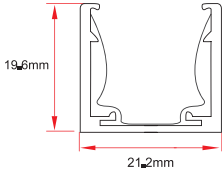
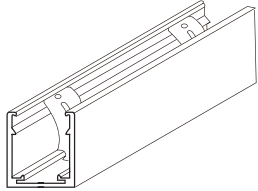
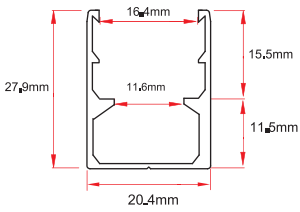
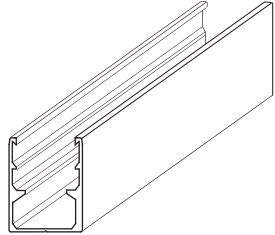
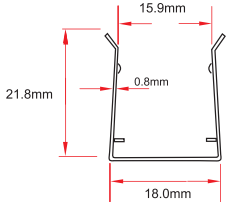
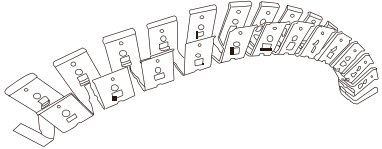
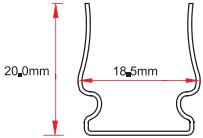
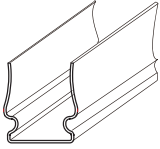
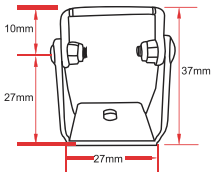
[For more information](#)

Email: info@neonled.sk

Or visit www.neonled.sk

 <p>LED Neon Cutter ACC-TOOL-C1</p>	 <p>Silicone Rubber K-5905</p>	 <p>Screwdriver ACC-TOOL-C2</p>
 <p>Mean Well Transformer Non-waterproof Series</p>	 <p>Mean Well Transformer Waterproof Series</p>	 <p>Assistant Tool ACC-TOOL-C3</p>

Mounting Channel

Model	Description	Dimension	Drawing
ALC16S02	Use for : F16 Length option:1m,2m,35mm Material:Aluminum alloy Optional color:AS/AB/PW Type: Standard		
ALC16S03	Use for : F16 Length option:1m,2m,35mm Material:Aluminum alloy Optional color:AS/AB/PW Type: Anti-drop for upside down installation		
ALC16H01	Use for : F16 Length option:1m,2m,35mm Material:Aluminum alloy Optional color:AS/AB/PW Type: Cable hiding		
SSC16FLX	Use for : F16 Length option:10cm,30cm,50cm,100cm Material: Stainless steel Optional color: Polished Type: Flexible		
SSC16S01	Use for : F16 Length option: 5cm Material: Stainless steel Optional color: Natural color Type: 316 stainless steel		
ACC-HX-S2830C2	Use for mounting channel for angle adjustment		

For more information

Email: info@neonled.sk

Or visit www.neonled.sk

Packing

Standard: Carton (Paper reel inside)



Fixture Length

787.4in(20m)

Paper Reel

D12.99*H6.18in(33*15.7cm)

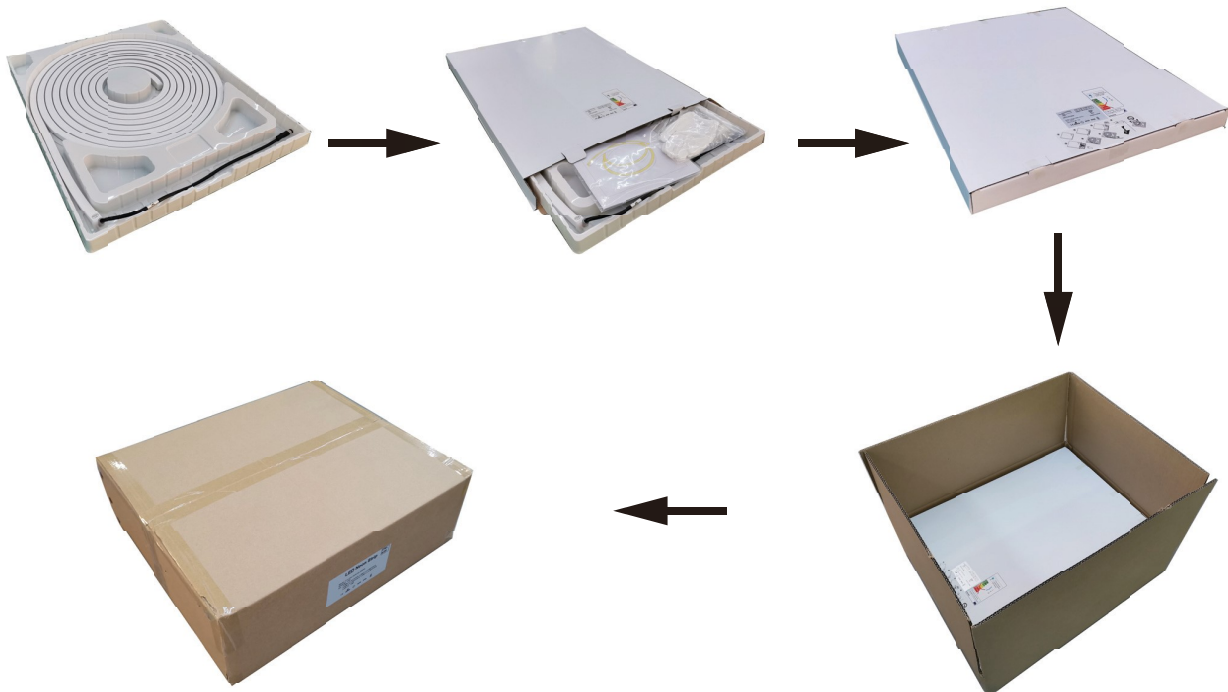
Carton Dimension

33*33*18cm

Gross Weight

17.63 lbs (10.4 kg)

Custom: Carton (White box+plastic plate inside)



Fixture Length

393.7in(10m)

White box Dimension

21.6*1.38*18.9in(55*3.5*48cm)

Carton Dimension

57*49*19cm

White box Quantity

Max 5pcs

Gross Weight

57.32 lbs (26 kg)



F16 Pixel chasing series led neon flex

Testing

1. Please note it is under normal range if there is 20-30% yellowing of PVC housing material when the product is used under direct sunlight or long-term high temperature & wet environment in 3 years.
2. About the tolerance range of optical parameters (luminance, CCT, Watt, RA) for all product, the volume is plus and minus 10% fluctuation referring to IEC Standard.
3. It's normal for the tolerance range in total length, it occurs from the different production technology, environmental temperature and installation. the volume would be 0.1-5M \pm 7mm, 5.1-10M \pm 15mm, 10.1-20M \pm 30mm.

[For more information](#)

Email: info@neonled.sk

Or visit www.neonled.sk

Loading Chart

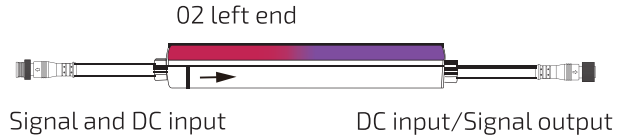
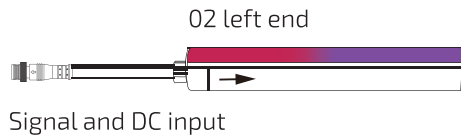
Power supply

Rated power	35W	60W	75W	80W	100W	120W	150W	185W	240W	320W
15W	1.5m	3m	4m	4.3m	5m	6m	6.5m	9.5m	12.5m	17m
16W	1.5m	3m	3.5m	4m	5m	6m	7m	9m	12m	16m

Single Feed

Double Feed

Lead Type



Note: These are the max recommended run lengths based on power supply, the signal transfers from the left end. For example: It is recommended to use one 80W power supply for a single-feed run of 4.3m at 15W/m.

Recommendation of extension wire

Maximum extension wire length according to Light power

Watts of light	22AWG 0.34mm ²	20AWG 0.53mm ²	18AWG 0.82mm ²	17AWG 1.04mm ²	16AWG 1.38mm ²	14AWG 2.07mm ²	12AWG 3.29mm ²	10AWG 5.62mm ²
10W	36m	60m	100m	120m	140m	240m	400m	600m
20W	18m	30m	50m	60m	70m	120m	200m	300m
30W	12m	20m	30m	38m	45m	80m	130m	200m
40W	8m	15m	22m	28m	35m	60m	95m	140m
50W	6m	12m	18m	22m	28m	48m	75m	105m
60W	5m	10m	15m	18m	22m	36m	60m	88m
70W	/	8m	12m	14m	18m	30m	50m	72m
80W	/	6m	10m	11m	14m	24m	40m	58m
90W	/	4m	7m	8m	10m	18m	30m	45m
100W	/	/	5m	6m	7m	12m	22m	32m
110W	/	/	3m	4m	5m	8m	15m	22m
120W	/	/	2m	2.5m	3m	0m	8m	12m

Note:

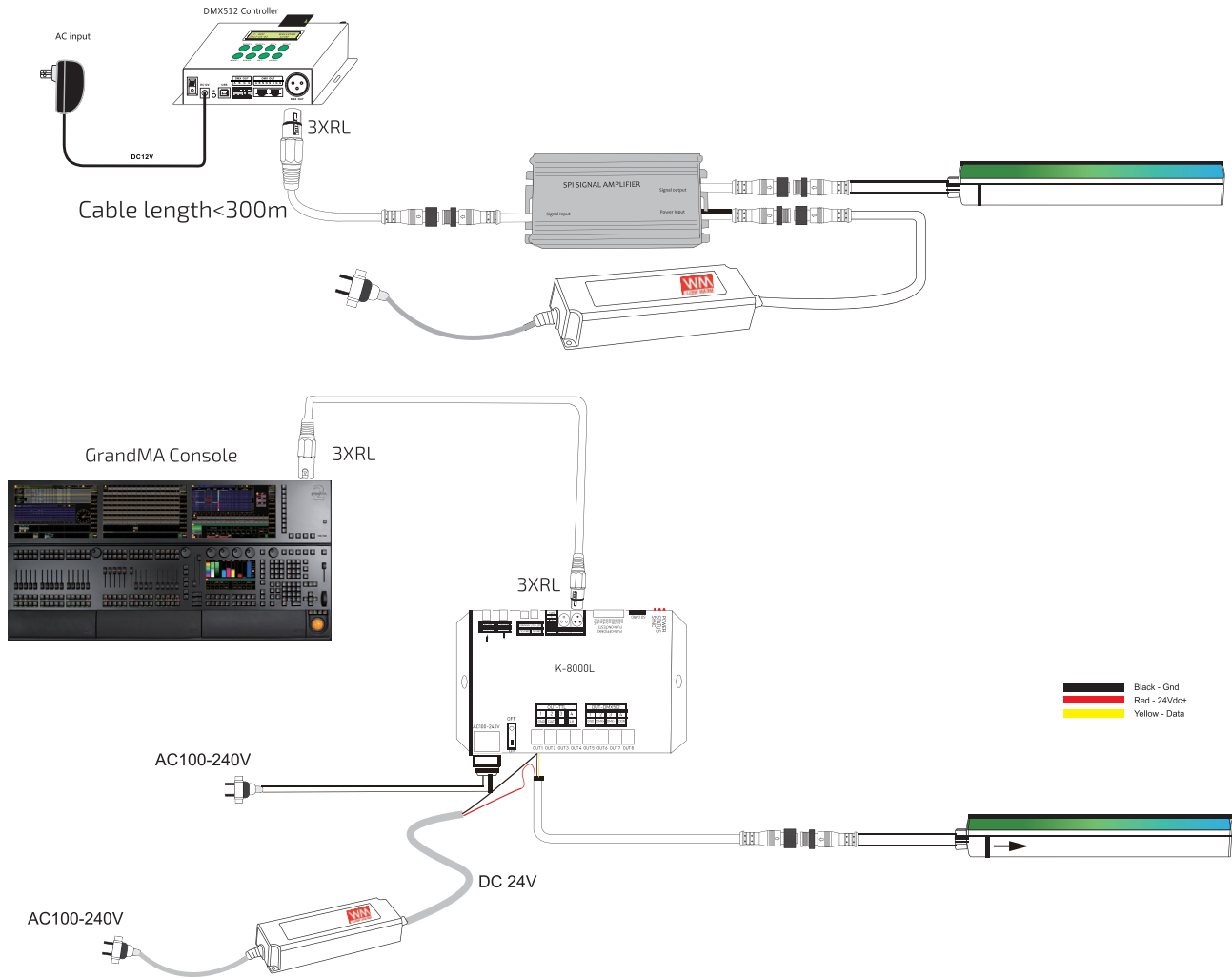
- The values doesn't include the 0.6m cable connected to the front connector.
- To ensure the reliability of wire connection and avoid problem of voltage drop, the extension wire length should be smaller than the above recommended values.

[For more information](#)

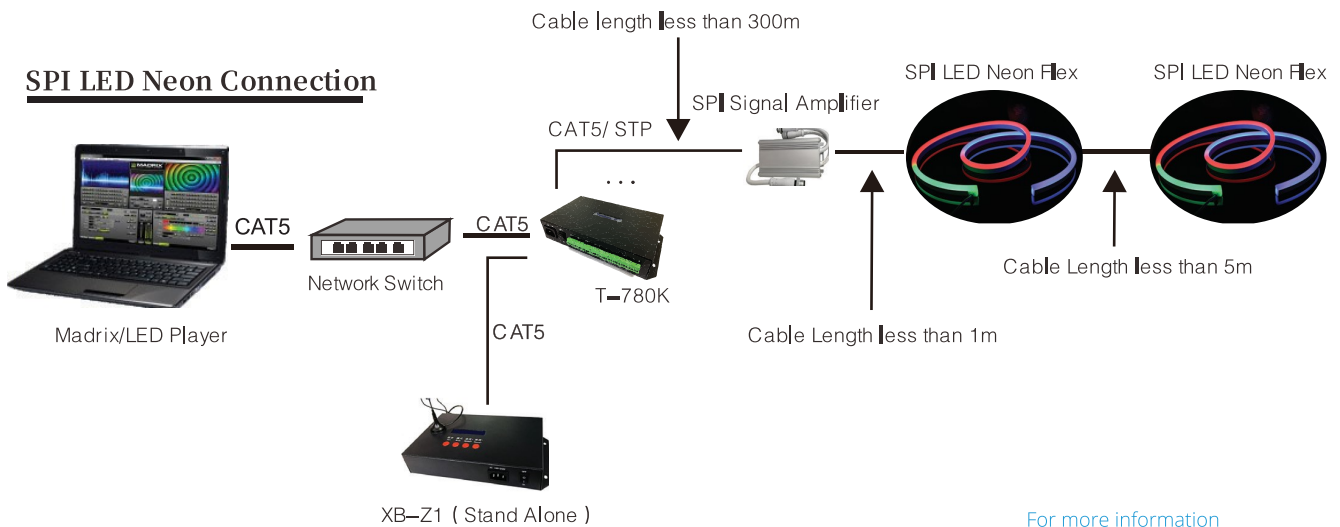
Email: info@neonled.sk

Or visit www.neonled.sk

Connection Diagram



SPI LED Neon Connection



For more information

Email: info@neonled.sk

Or visit www.neonled.sk