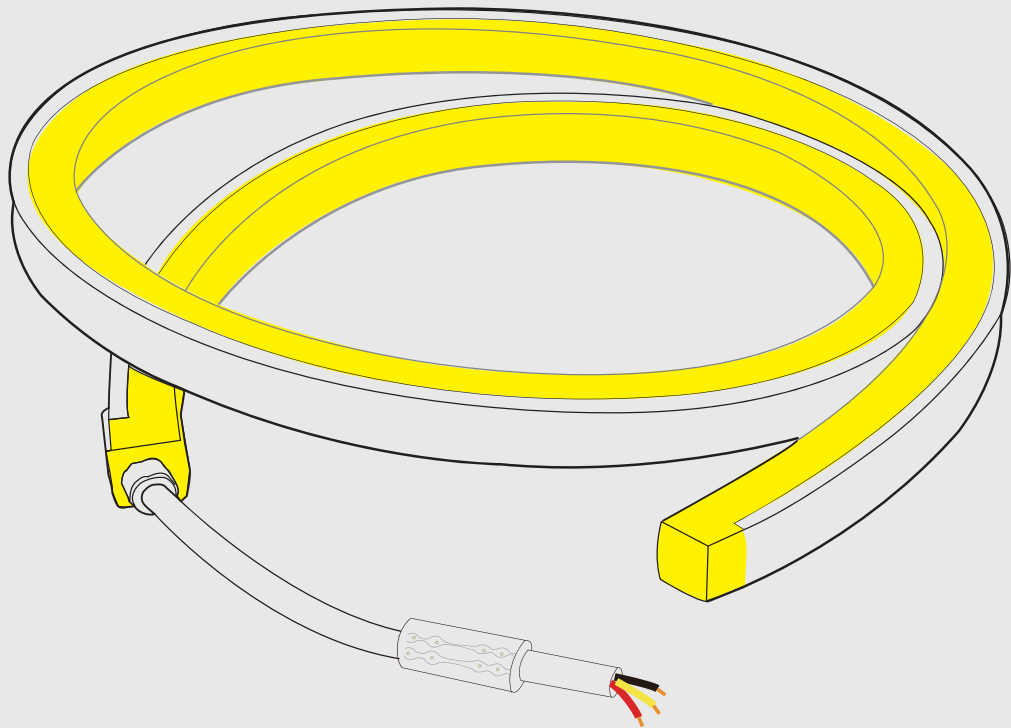







NEONLED

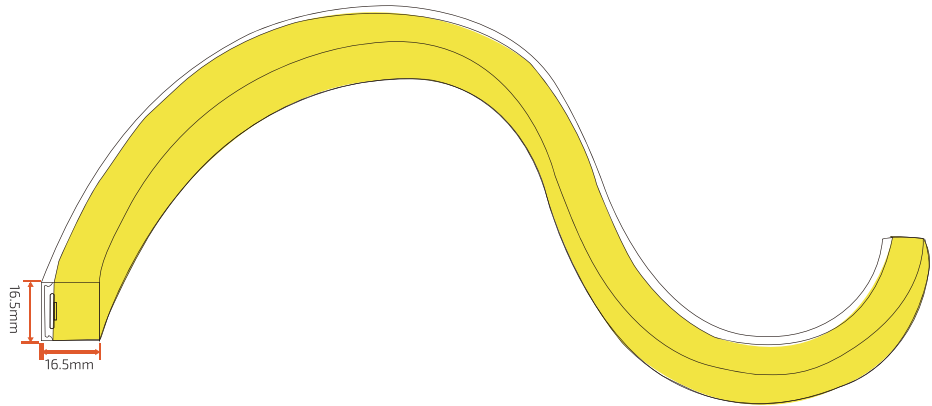


F18 Tunable white Neon Flex

Specification

Dimension

-  Gross weight: 0.43kg/m
-  Dimmable: DALI, 0-10V, DMX, Triac
-  Installation Temp.: 0°C to +55°C
-  Ambient Temp.: -25°C to +55°C
-  Beam Angle : 260 degree



Eco-friendly PVC or Silicone Housing material optional

Features

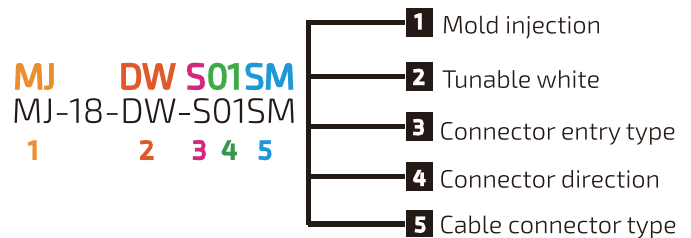
- Uniform and even light output, three side emitting
- Flat surface with 260 degree beam angle
- Dimmable with Dali, 0/1-10, DMX,PWM
- Available color both warm white and cold white
- Full encapsulated with IP68 Level
- High Reliability
- 3 or 5 Years warranty

Applications

- Building facade, outline
- Cove lighting
- Sign and advertising lighting
- Linear lighting
- Additional lighting
- Decorative lighting



Model Encoding



- 01----- right
- 02-----left
- 03-----double
- SM----- male connetor cable
- SF-----female connector cable
- SMF-----male & female connector cable
- Blank-----bare wire
- S----- Side entry
- D-----Direct entry
- B-----Bottom entry

For more information

Email: info@neonled.sk

Or visit www.neonled.sk

Technical Specification

Model	F18-24V-2835-120-DW
Operating voltage	24V
Power consumption	15W/M
Working Mode	PWM CV
LED type	SMD2835
LED Quantity	120 pcs/m
Available Color	2200K/2700K/3000K+5700K
Min. cutting Unit	12 LEDs
Min. cutting length	10cm
Max. length single feed	10m
Max. length double feed	20m
Bending direction	Vertically
Lumen maintenance	70 000 Hours L70 25°C , 50 000 Hours L70 50°C
Housing material	Eco PVC or silicone
Installation temperature	0°C to -55°C
Ambient temperature	-25°C to +55°C
Ingress protection	IP68 wet location submersible* to 2m
Warranty	3 years as standard, 5 years warranty maximum

Color Combination

warm white

cold white



+



..... 2200K+5700K



+



..... 2700K+5700K

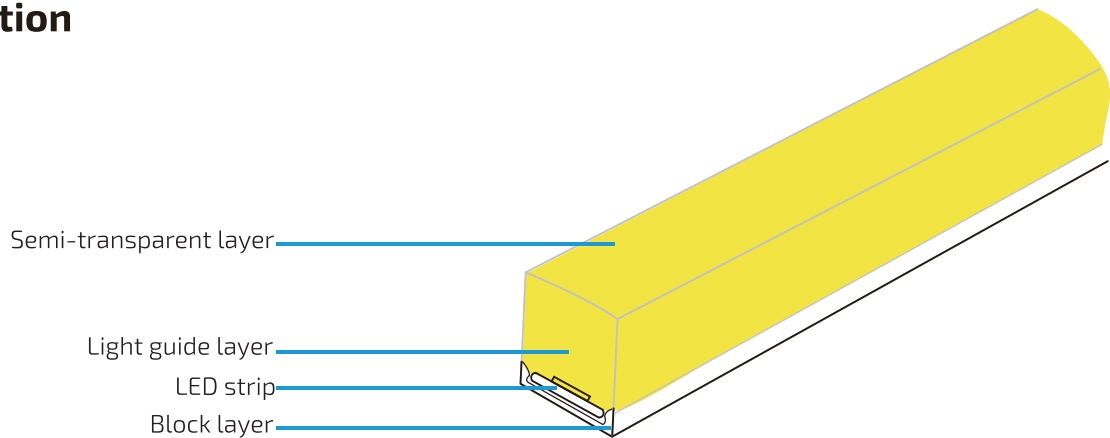


+



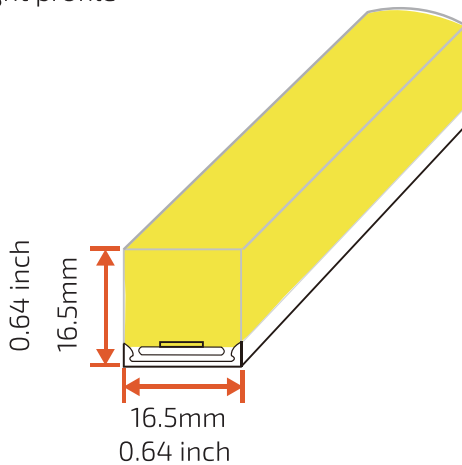
..... 3000K+5700K

Construction

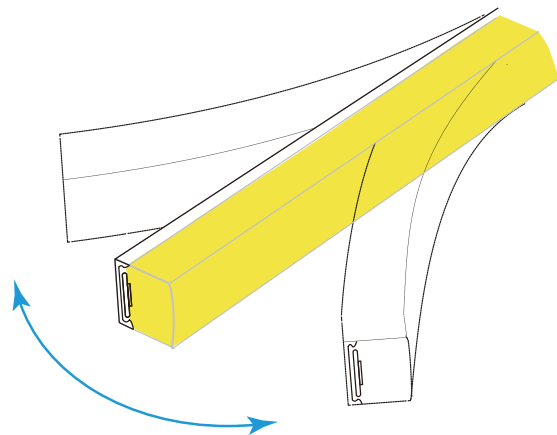


Physical Specification

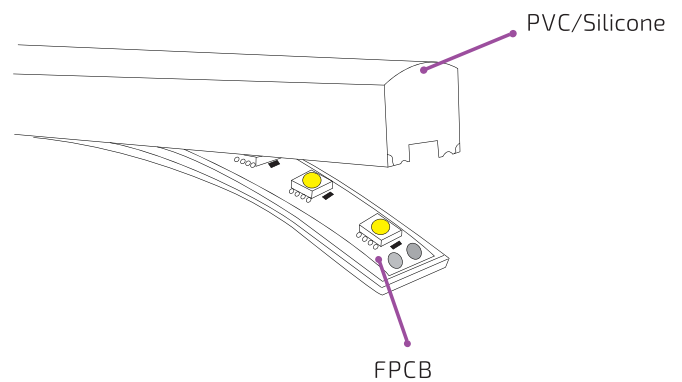
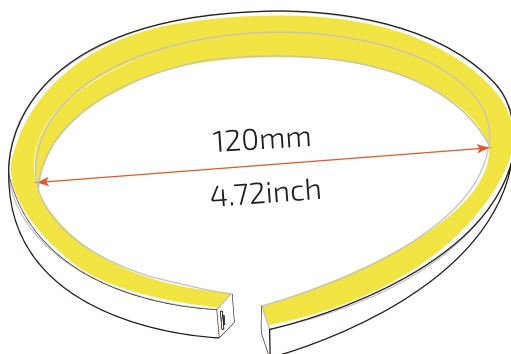
Light profile



Bending direction



Min. bending diameter



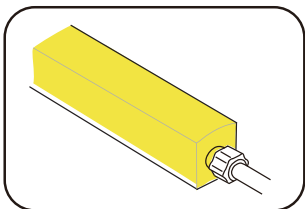
[For more information](#)

Email: info@neonled.sk

Or visit www.neonled.sk

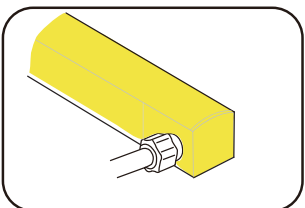
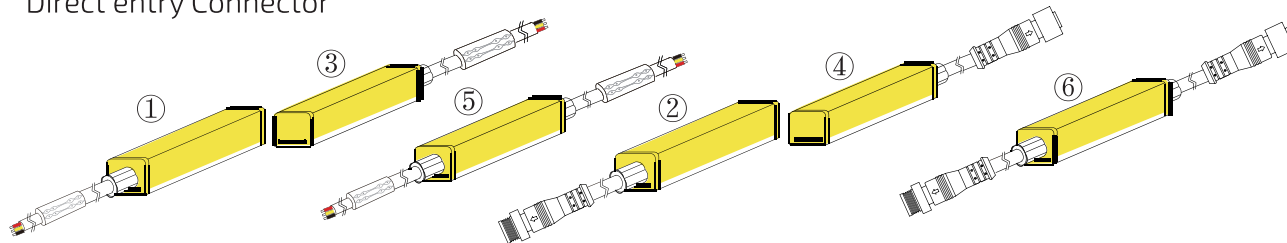
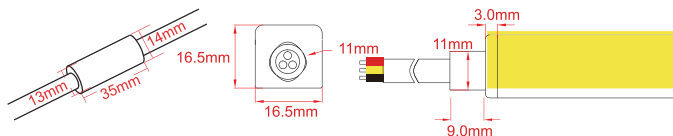
Mold injection connector

(IP68 Factory Assembly only)



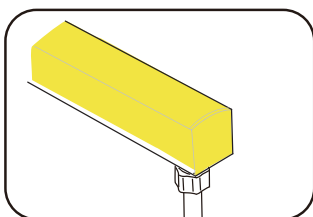
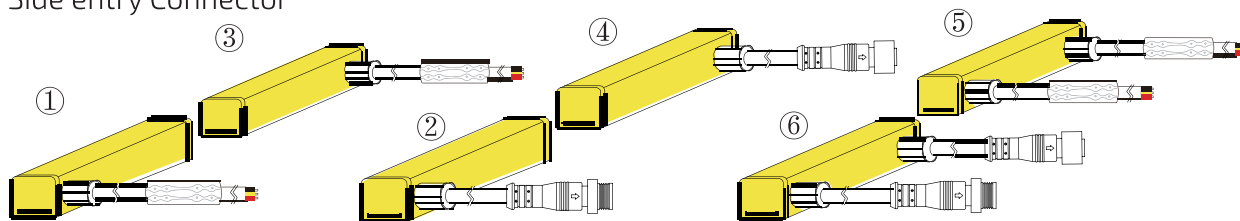
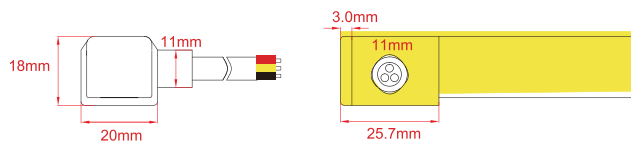
Direct entry Connector

- ① MJ-18-DW-D01
- ② MJ-18-DW-D015M
- ③ MJ-18-DW-D02
- ④ MJ-18-DW-D025F
- ⑤ MJ-18-DW-D03
- ⑥ MJ-18-DW-D035FM



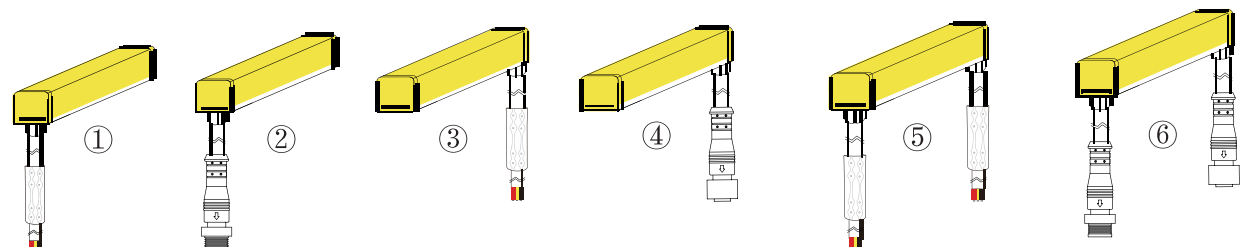
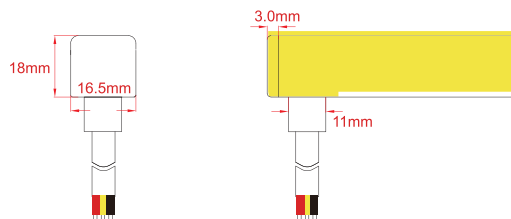
Side entry Connector

- ① MJ-18-DW-S01
- ② MJ-18-DW-S015M
- ③ MJ-18-DW-S02
- ④ MJ-18-DW-S025F
- ⑤ MJ-18-DW-S03
- ⑥ MJ-18-DW-S035FM



Bottom entry Connector

- ① MJ-18-DW-B01
- ② MJ-18-DW-B015M
- ③ MJ-18-DW-B02
- ④ MJ-18-DW-B025F
- ⑤ MJ-18-DW-B03
- ⑥ MJ-18-DW-B035FM

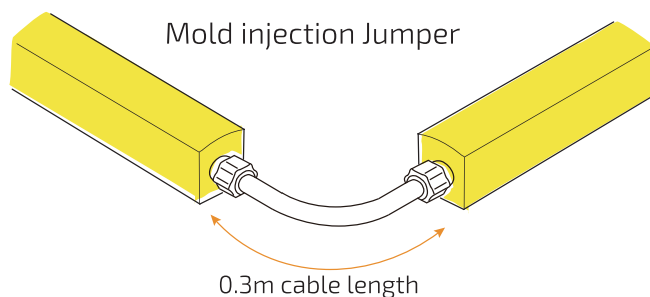
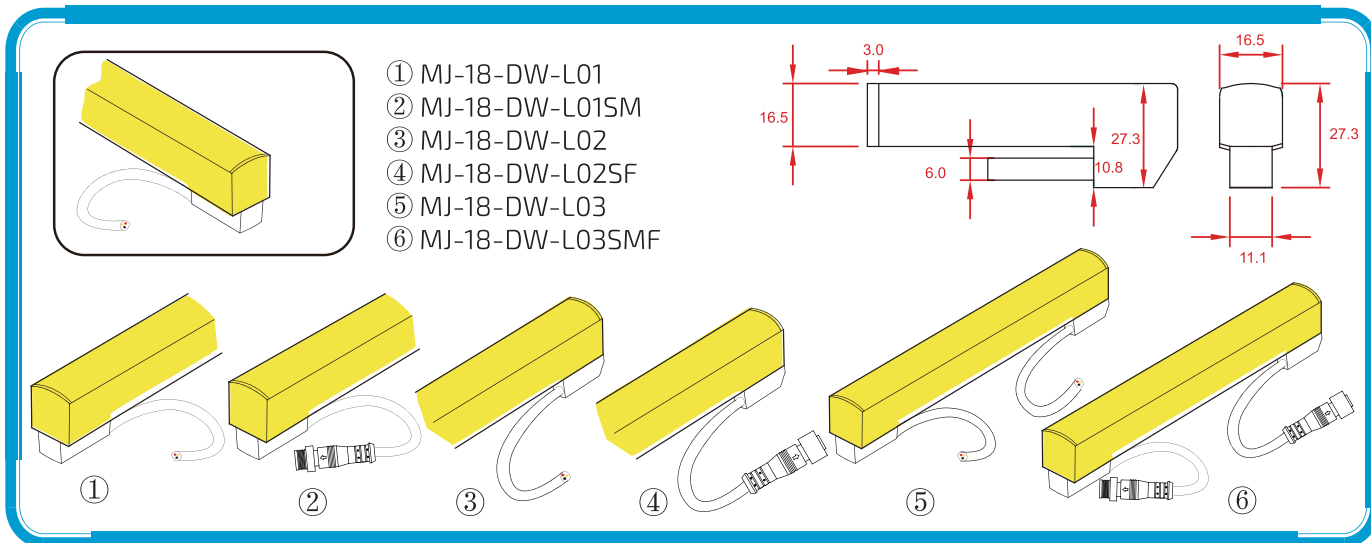


For more information

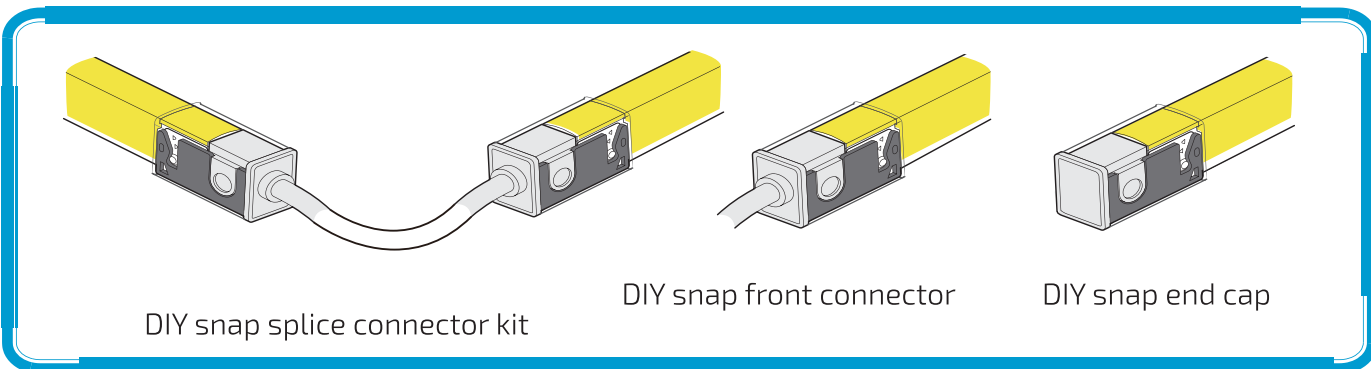
Email: info@neonled.sk

Or visit www.neonled.sk

Mold injection Connector



DIY Screw & Snap Connector Kit



Type	Model
Middle injection Connector	MJ-18-DW-M01-06
DIY snap splice connector	DIY-SC-Middle-18-DW
DIY snap front connector	DIY-SN-FR-16-D-01/2-DW
DIY screw end cap kit	DIY-SN-END-01/02-16

Noted:
 01- Right direction
 02- Left direction

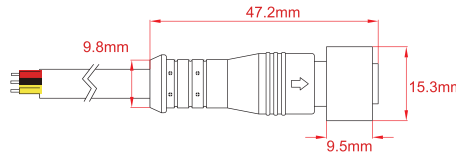
For more information

Email: info@neonled.sk

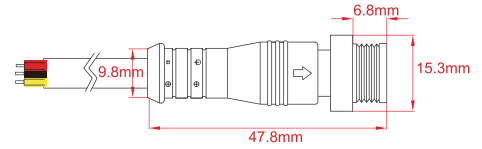
Or visit www.neonled.sk

Other Accessories

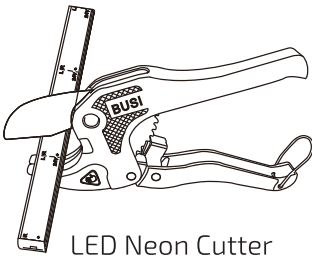
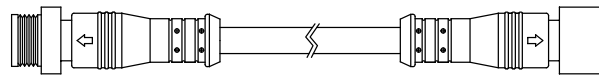
Female & Male Connector



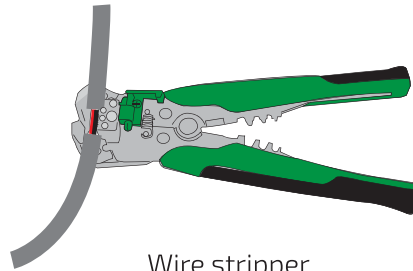
Female connector wire
SYZ-M12-F-3C-05-W



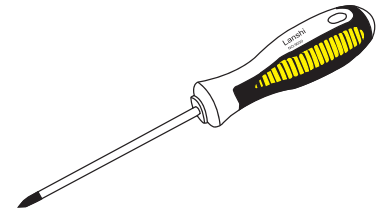
Male connector wire
SYZ-M12-M-3C-05-W



LED Neon Cutter
ACC-TOOL-C1



Wire stripper
ACC-TOOL-WS01



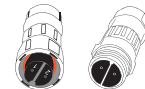
Screwdriver
ACC-TOOL-C2



Mean Well Transformer
Non-waterproof Series



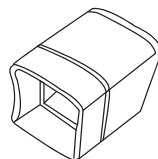
Mean Well Transformer
Waterproof Series



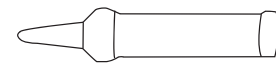
Female & male wire connector
KJ-M12-3P-F/ KJ-M12-3P-M



Silicone Rubber
K-5905



PVC End Cap
DIY-PVC-END-16



Assistant Tool
ACC-TOOL-C3

For more information

Email: info@neonled.sk

Or visit www.neonled.sk

Mounting Channel

Model	Description	Dimension	Drawing
ALC18S01	<p>Use for : F18</p> <p>Length option: 1m, 2m, 35mm</p> <p>Material: Aluminum alloy+ Plastic</p> <p>Optional color: AS/AB/PW</p> <p>Type: Standard</p>		
ACC-HX-S2830C2	<p>Use for mounting channel for angle adjustment</p>		

Packing

Standard: Carton (Paper reel inside)



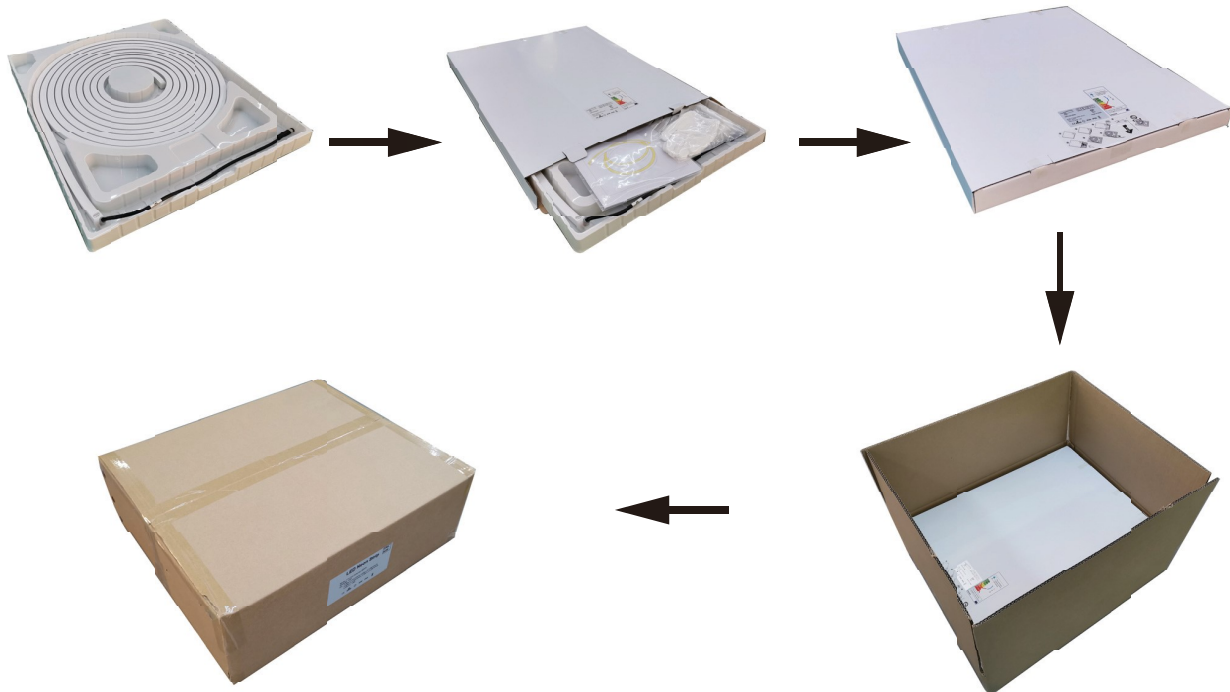
Fixture Length
787.4in(20m)

Paper Reel
D12.99*H6.18in(33*15.7cm)

Carton Dimension
33*33*18cm

Gross Weight
17.63 lbs (10.4 kg)

Custom: Carton (White box+plastic plate inside)



Fixture Length
393.7in(10m)

White box Dimension
21.6*1.38*18.9in(55*3.5*48cm)

Carton Dimension
57*49*19cm

White box Quantity
Max 5pcs

Gross Weight
57.32 lbs (26 kg)

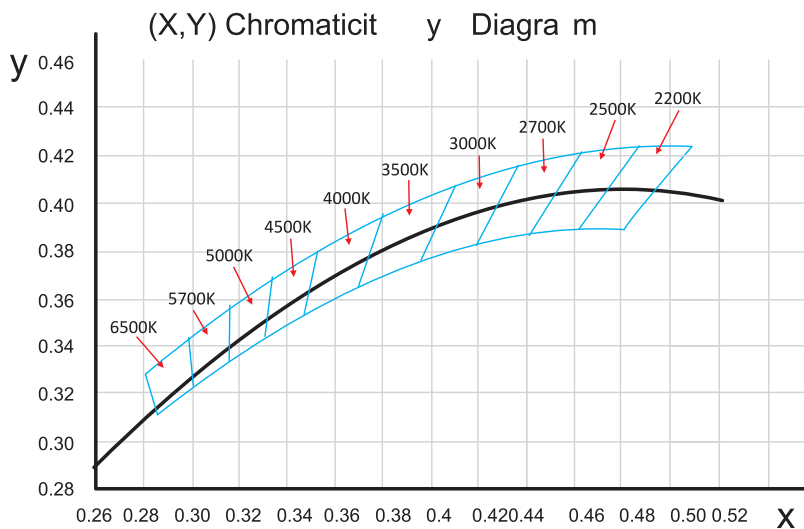
Testing

ANSI Standard

Nominal CCT Categories (2200-6500K)

Nominal CCT	Target CCT & tolerance(K)	Target D_{uv}	D_{uv} Tolerance Range
2200K	2238±102	0.0000	T_x : CCT of the source for $T_x < 2870K$
2500K	2460±120	0.0000	0.000±0.0060
2700K	2725±145	0.0000	For $T_x \geq 2870K$
3000K	3045±175	0.0001	$D_{uv}(T_x) \pm 0.0060$
3500K	3465±245	0.0005	where
4000K	3985±275	0.0010	$D_{uv}(T_x) = 57700x(1/T_x)^2$ -44.6x(1/T _x) +0.00854
4500K	4503±243	0.0015	Remark:
5000K	5029±283	0.0020	1) T_F is chosen to be at 100K steps (2300,2400.....6400K) the ten nominal CCTs listed in table 1.
5700K	5667±355	0.0025	2) $\Delta T = 1.1900 \times 10^8 \times T^{-3}$ $1.5434 \times 10^4 \times T^{-2} + 0.71648 \times T - 902.55$
6500K	6532±510	0.0031	3) Same as in the DUV tolerance range
Flexible CCT	$T_F^{(1)} \pm \Delta T^{(2)}$	$D_{uv} T_F^{(3)}$	

White Color Charts



1. Please note it is under normal range if there is 20-30% yellowing of PVC housing material when the product is used under direct sunlight or long-term high temperature & wet environment in 3 years.

2. About the tolerance range of optical parameters (luminance, CCT, Watt, RA) for all product, the volume is plus and minus 10% fluctuation referring to IEC Standard.

3. It's normal for the tolerance range in total length, it occurs from the different production technology, environmental temperature and installation. the volume would be 0.1-5M±7mm, 5.1-10M±15mm, 10.1-20M±30mm.

[For more information](#)

Email: info@neonled.sk

Or visit www.neonled.sk

Loading Chart

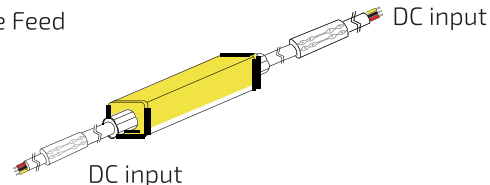
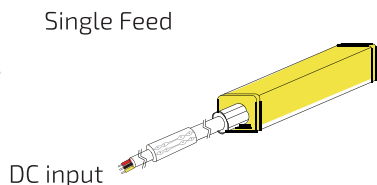
Power supply

Rated power	35W	60W	75W	80W	100W	120W	150W	185W	240W	320W
15W	1.5m	3m	4m	4.2m	5m	6m	8m	9.8m	12.5m	17m

Single Feed

Double Feed

Lead Type



Note: These are the max recommended run lengths based on power supply
 For example: It is recommended to use one 80W power supply for a single-feed run of 4.2m at 15W/m.

Recommendation of extension wire

Maximum extension wire length according to Light power

Watts of light	22AWG 0.34mm ²	20AWG 0.53mm ²	18AWG 0.82mm ²	17AWG 1.04mm ²	16AWG 1.38mm ²	14AWG 2.07mm ²	12AWG 3.29mm ²	10AWG 5.62mm ²
10W	36m	60m	100m	120m	140m	240m	400m	600m
20W	18m	30m	50m	60m	70m	120m	200m	300m
30W	12m	20m	30m	38m	45m	80m	130m	200m
40W	8m	15m	22m	28m	35m	60m	95m	140m
50W	6m	12m	18m	22m	28m	48m	75m	105m
60W	5m	10m	15m	18m	22m	36m	60m	88m
70W	/	8m	12m	14m	18m	30m	50m	72m
80W	/	6m	10m	11m	14m	24m	40m	58m
90W	/	4m	7m	8m	10m	18m	30m	45m
100W	/	/	5m	6m	7m	12m	22m	32m
110W	/	/	3m	4m	5m	8m	15m	22m
120W	/	/	2m	2.5m	3m	0m	8m	12m

Note:

- The values doesn't include the 0.6m cable connected to the front connector.
- To ensure the reliability of wire connection and avoid problem of voltage drop, the extension wire length should be smaller than the above recommended values.

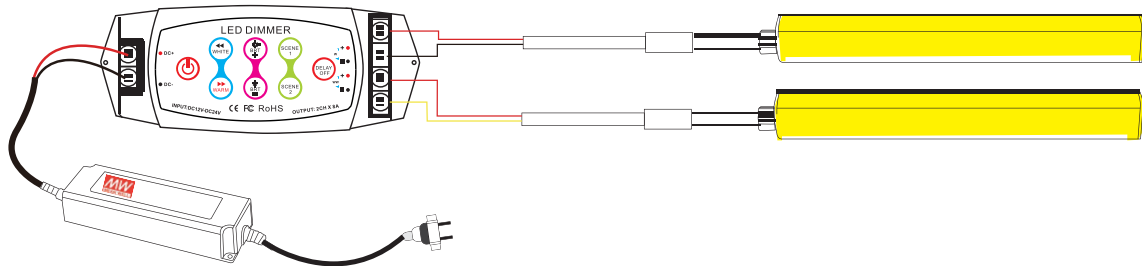
[For more information](#)

Email: info@neonled.sk

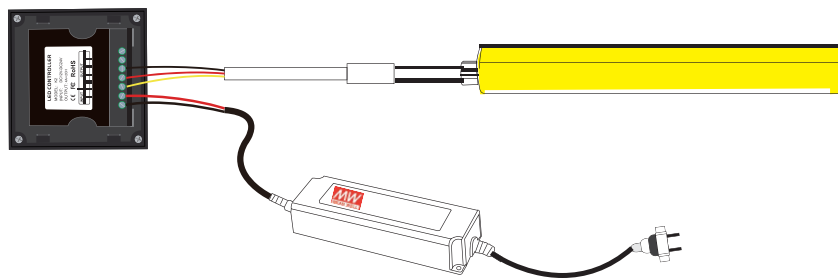
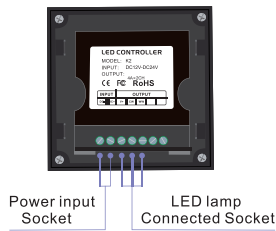
Or visit www.neonled.sk

Controller Diagram

BC-310 LED CCT Controller



K2 CCT Rotary Controller



BC-422 Constant Voltage CCT Controller

