

FLOOD LIGHT

HLC 150W 120W



Alder Flood Light is the perfect combination of high-performance Leds. With in-house design sophisticated optical lens, it performs efficiently and provides quality and comfortable light for various industrial and recreational environments. It also has the versatility to be used both in the indoor and outdoor areas with IP66 protection. The Flood Light offers customers an aesthetic design with exceptional performance and high reliability.



Applications  
Area lighting  
Industrial lighting  
General site lighting



Product Overview

Features

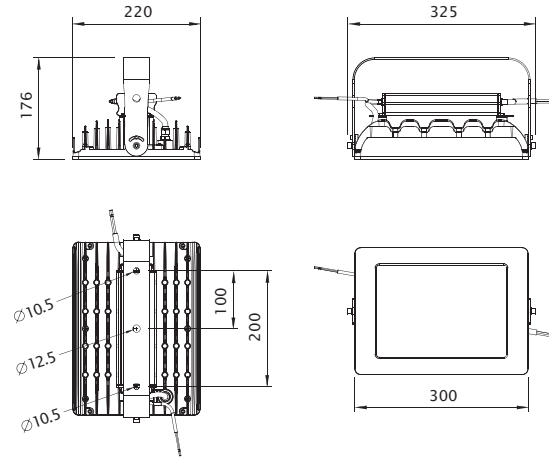
- Solid die-cast aluminum housing
- Perfect resistant coating
- Rotatable bracket made of stainless steel
- Replaceable driver (plug and play system)
- System efficacy up to 157 lm/W ( Ra > 80 )
- Equipped with symmetric and asymmetric optical lens
- Dimmable 1-10V optional

Specifications

- Power Consumption : 150 W / 120 W
- Input Voltage : AC 99-305 V
- Frequency : 50/60 Hz
- Operation Temp. : -30°C to +50°C
- LED Lifetime (L70) : 60,000 hours

Dimensions [Unit : mm]

Weight :4.1 Kg



Photometric [ Figures are shown in steady stage ]

Beam Angle 60°

	M	120W (5000K, C8)	150W (5000K, C8)
	3	1667 LUX	1975 LUX
	6	417 LUX	494 LUX
	9	185 LUX	219 LUX

Beam Angle 60° x 90°

	M	120W (5000K, C8)	150W (5000K, C8)
	3	1168 LUX	1384 LUX
	6	292 LUX	346 LUX
	9	130 LUX	154 LUX

Beam Angle 120°

	M	120W (5000K, C8)	150W (5000K, C8)
	3	663 LUX	796 LUX
	6	166 LUX	199 LUX
	9	74 LUX	88 LUX

Ordering Information

Product Name	Wattage (W)	CCT (K)	Beam Angle (°)	CRI	Light Output Steady Stage (lm)	Light Output Cold Stage (lm)
HLC-120K0-HPD-T6WD60C8	120	5000	60	>80	16800	18500
HLC-120K0-HPD-T6WDTAC8	120	5000	60x90	>80	16800	18500
HLC-120K0-HPD-O2WDA2C8	120	5000	120	>80	17000	18800
HLC-150K0-HPD-T6WD60C8	150	5000	60	>80	19900	22100
HLC-150K0-HPD-T6WDTAC8	150	5000	60x90	>80	19900	22100
HLC-150K0-HPD-O2WDA2C8	150	5000	120	>80	20400	22700

\* Other CCT options : 3000K, 4000K, 6500K.  
\* Dimmable 1-10V optional.